

MUNCK

MUNCK**PRODUCT
INFORMATION****TEKNISKE DATA FOR STANDARD MONOBEAM KRAN
TECHNICAL DATA FOR STANDARD MONOBEAM CRANES**Printed 08.10.2003
Rev. No. 2
Date rev. 06.10.03**TALJE / HOIST****KRAN / CRANE**

SWL Tonne	Talje/hoist Type	Heise- høyde Height of lift m	Heise- hastighet Hoisting speed m/min	Vekt talje Weight hoist kg	Spenn vidde Span up to	Hjulkasse / End truck Hjuldia.			Talje Hoist C1 mm	Byggeform / Build. design						Vekt kran eks. katt Weight crane excl. trolley kg	Maks stat hjultrykk Max stat. wheel load kN	Hjultrykk Equiv. wheel load kN					
						Wheeldia. mm	A mm	a mm		Type Standard			Type A										
										F mm	E mm	D mm	F mm	E mm	D mm								
3,2	3101D1423	7,1	1/4	340	6	160	2104	1600	813	577	847	770	306	847	770	1010	17,6	12,6					
					7	160	2104	1600	813	577	847	770	306	847	770	1120	18,2	13,1					
					8	160	2104	1600	832	597	847	770	308	847	770	1300	18,9	13,7					
					9	160	2104	1600	832	597	847	770	308	847	770	1420	19,4	14,1					
					10	160	2104	1600	832	597	847	770	308	847	770	1530	19,8	14,5					
					11	160	2104	1600	851	622	847	770	314	847	770	1730	20,4	15,0					
					12	160	2104	1600	851	622	847	770	314	847	770	1850	20,8	15,4					
					13	160	2504	2000	870	642	847	770	315	847	770	2100	21,5	16,1					
					14	160	2504	2000	908	682	847	770	316	847	770	2420	22,3	16,9					
					15	160	2504	2000	908	682	847	770	316	847	770	2560	22,8	17,3					
					16	160	3104	2600	956	737	847	770	323	847	770	3030	24,0	18,5					
					17	160	3104	2600	956	737	847	770	323	847	770	3180	24,4	18,9					
					18	160	3104	2600	956	737	847	770	323	847	770	3340	24,8	19,3					
					19	160	3104	2600	1236	915	847	770	603	847	770	3410	25,0	19,5					
					20	160	4104	3700	1328	1019	847	770	703	847	770	4610	28,0	22,5					
					21	160	4104	3700	1328	1024	847	770	708	847	770	4790	28,5	22,9					
					22	160	4104	3700	1328	1024	847	770	708	847	770	4980	29,0	23,4					
					23	160	4104	3700	1330	1026	847	770	710	847	770	5350	29,9	24,3					
					24	160	4104	3700	1430	1126	847	770	810	847	770	5760	30,9	25,3					
					25	160	4104	3700	1428	1124	847	770	808	847	770	6050	31,7	26,1					
					26	160	4104	3700	1428	1129	847	770	813	847	770	6250	32,2	26,6					
					27	160	4604	4200	1525	1135	847	770	815	847	770	8170	36,9	31,3					
					28	160	4604	4200	1527	1137	847	770	817	847	770	8700	38,2	32,6					
					29	160	4604	4200	1625	1235	847	770	815	847	770	9010	39,0	33,4					
					30	160	4604	4200	1627	1237	847	770	817	847	770	9560	40,4	34,7					
					5	3111D1423	7,1	1/4	355	6	160	2104	1600	832	597	847	781	308	847	781	1070	25,5	17,9
										7	160	2104	1600	832	597	847	781	308	847	781	1190	26,3	18,5
										8	160	2104	1600	870	637	847	781	310	847	781	1420	27,2	19,3
										9	160	2104	1600	870	637	847	781	310	847	781	1550	27,8	19,8
										10	160	2104	1600	870	637	847	781	310	847	781	1680	28,3	20,3
11	160	2104	1600	908						682	847	781	316	847	781	1960	29,2	21,1					
12	160	2104	1600	956						732	847	781	318	847	781	2290	30,2	22,0					
13	160	2504	2000	956						732	847	781	318	847	781	2480	30,8	22,6					
14	160	2504	2000	956						732	847	781	318	847	781	2630	31,3	23,0					
15	160	2504	2000	1004						782	847	781	320	847	781	3030	32,3	24,1					
16	160	3104	2600	1004						787	847	781	325	847	781	3270	33,0	24,7					
17	160	3104	2600	1053						837	847	781	326	847	781	3640	34,0	25,7					
18	160	3104	2600	1053						837	847	781	326	847	781	3820	34,5	26,1					
19	160	3104	2600	1336						1019	847	781	703	847	781	4050	35,1	26,7					
20	160	4104	3700	1428						1119	847	781	803	847	781	5030	37,6	29,2					
21	160	4104	3700	1428						1124	847	781	808	847	781	5230	38,1	29,7					
22	160	4104	3700	1428						1124	847	781	808	847	781	5430	38,7	30,2					
23	160	4104	3700	1432						1128	847	781	812	847	781	5750	39,5	31,0					
24	160	4104	3700	1434						1130	847	781	814	847	781	6150	40,5	32,0					
25	160	4104	3700	1532						1228	847	781	812	847	781	6720	41,9	33,5					
26	160	4104	3700	1532						1233	847	781	817	847	781	6950	42,5	34,0					
27	160	4604	4200	1627						1237	847	781	817	847	781	8730	46,9	38,4					
28	160	4604	4200	1627						1237	847	781	817	847	781	9010	47,6	39,1					
29	160	4604	4200	1629						1239	847	781	819	847	781	9570	49,0	40,5					
30	160	4604	4200	1633						1243	847	781	823	847	781	10440	51,2	42,7					
8	3121B1423	6,5	1,2/4	586						6	160	2104	1600	1131	727	913	983	313	913	983	1340	39,0	27,2
										7	160	2104	1600	1131	727	913	983	313	913	983	1500	40,3	28,2
										8	160	2104	1600	1179	777	913	983	315	913	983	1780	41,7	29,3
										9	160	2104	1600	1179	777	913	983	315	913	983	1960	42,6	30,1
										10	160	2104	1600	1179	777	913	983	315	913	983	2130	43,5	30,8
					11	160	2104	1600	1228	832	913	983	321	913	983	2430	44,6	31,8					
					12	160	2104	1600	1228	832	913	983	321	913	983	2610	45,3	32,4					
					13	160	2504	2000	1184	792	913	983	325	913	983	3110	46,8	33,8					
					14	160	2504	2000	1184	792	913	983	325	913	983	3320	47,5	34,5					
					15	160	2504	2000	1233	842	913	983	326	913	983	3710	48,6	35,5					
					16	160	3104	2600	1464	929	913	983	609	913	983	3700	48,8	35,6					
					17	160	3104	2600	1562	1027	913	983	707	913	983	4130	50,0	36,7					
					18	160	3104	2600	1562	1027	913	983	707	913	983	4330	50,6	37,3					
					19	160	3104	2600	1564	1029	913	983	709	913	983	4660	51,5	38,2					
					20	160	4104	3700	1692	1127	913	983	807	913	983	5800	54,4	41,1					
					21	250	4154	3690	1694	1139	913	983	819	913	983	6330	55,8	42,4					
					22	250	4154	3690	1698	1143	913	983	823	913	983	6680	56,7	43,3					
					23	250	4154	3690	1794	1239	913	983	819	913	983	7070	57,8	44,3					
					24	250	4154	3690	1794	1239	913	983	819	913	983	7320	58,5	45,0					
					25	250	4154	3690	1798	1243	913	983	823	913	983	7980	60,1	46,7					
					26	250	4154	3690	1802	1252	913	983	832	913	983	8340	61,1	47,6					
					27	250	4664	4200	1928	1348	913	983	928	913	983	9790	64,7	51,2					
					28	250	4664	4200	1932	1352	913	983	932	913	983	10640	66,8	53,3					
					29	250	4664	4200	2028	1448	913	983	928	913	983	10720	67,1	53,5					
					30	250	4664	4200	2032	1452	913	983	932	913	983	11620	69,3	55,7					



TEKNISKE DATA FOR STANDARD MONOBEAM KRAN
 TECHNICAL DATA FOR STANDARD MONOBEAM CRANES

Printed 08.10.2003
 Rev. No. 2
 Date rev. 06.10.03

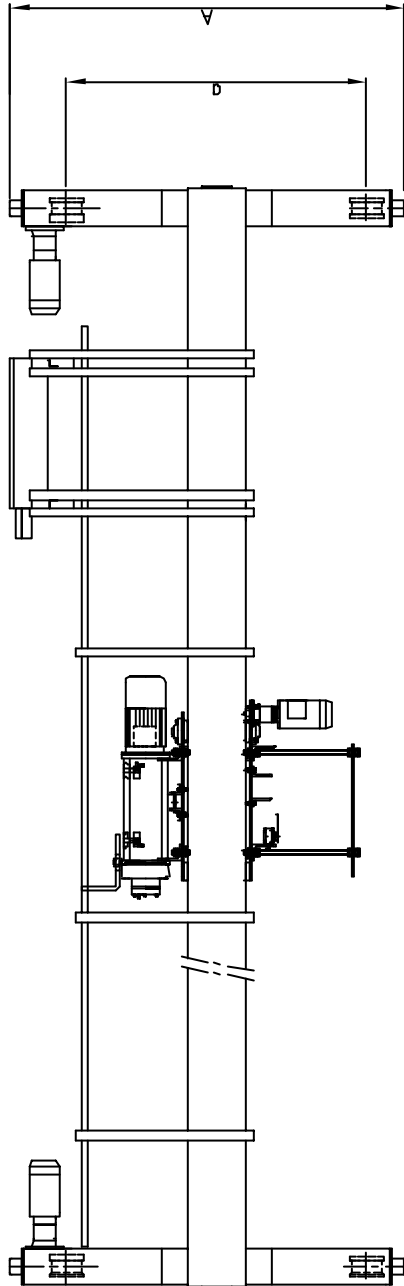
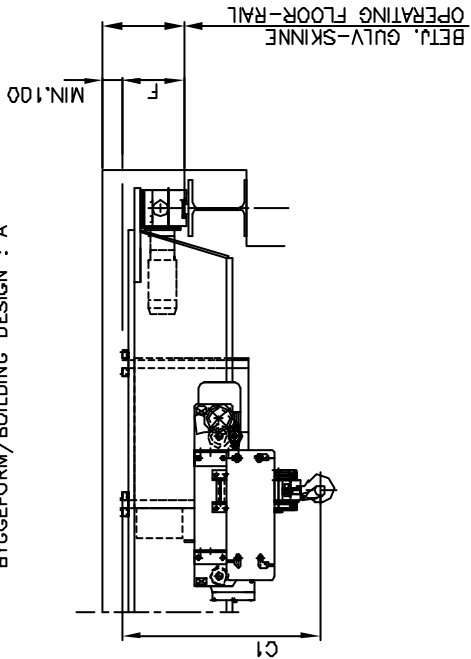
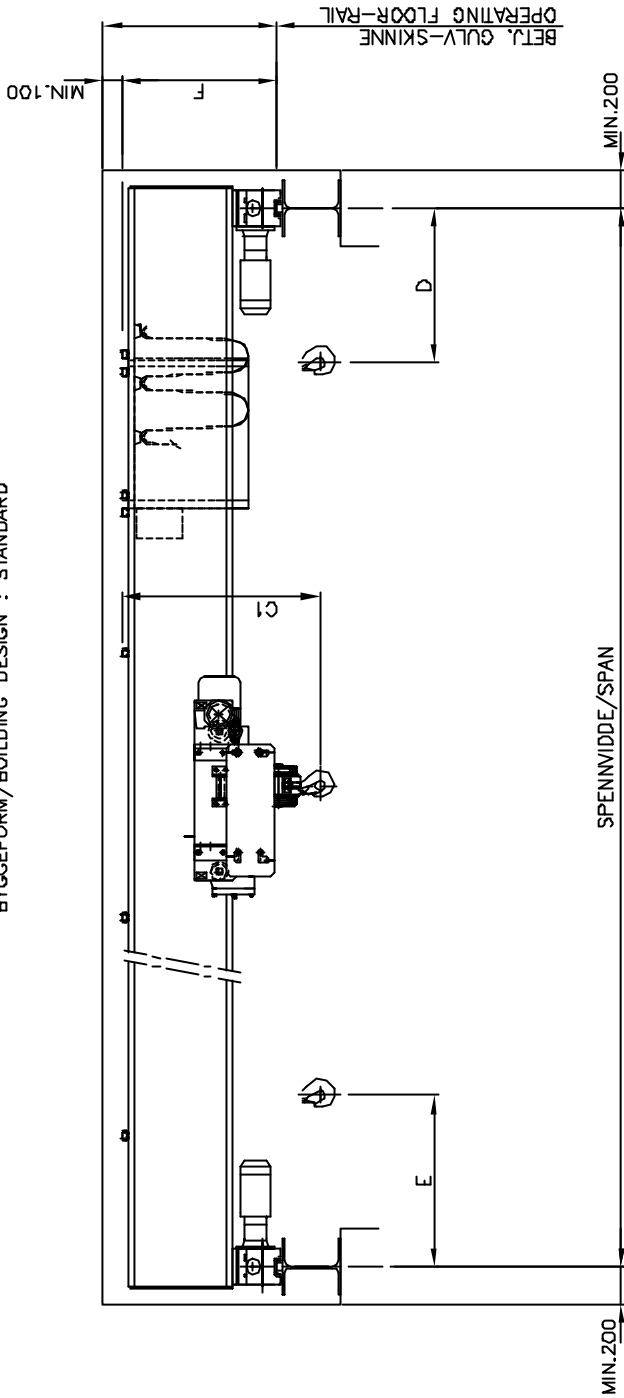
TALJE / HOIST

KRAN / CRANE

SWL Tonne	Talje/hoist Type	Heise- høyde Height of lift m	Heise- hastighet Hoisting speed m/min	Vekt talje Weight hoist kg	Spenn vidde Span up to	Hjulklasse / End truck Hjuldia.			Talje Hoist C1 mm	Byggeform / Build. design						Vekt kran eks. katt Weight crane excl. trolley kg	Maks stat hjultrykk Max stat. wheel load kN	Hjultrykk Equiv. wheel load kN					
						Wheeldia. mm	A mm	a mm		Type Standard			Type A										
										F mm	E mm	D mm	F mm	E mm	D mm								
10	3122B1423	6,5	1,2/4	594	6	160	2104	1600	1179	777	913	997	315	913	997	1440	47,6	33,1					
					7	160	2104	1600	1179	777	913	997	315	913	997	1610	49,1	34,2					
					8	160	2104	1600	1228	827	913	997	316	913	997	1880	50,6	35,4					
					9	160	2104	1600	1184	787	913	997	320	913	997	2260	52,2	36,8					
					10	160	2104	1600	1184	787	913	997	320	913	997	2460	53,3	37,6					
					11	160	2104	1600	1184	792	913	997	325	913	997	2670	54,2	38,4					
					12	160	2104	1600	1233	842	913	997	326	913	997	3020	55,4	39,5					
					13	250	2529	1975	1462	1032	913	997	707	913	997	3550	57,0	41,0					
					14	250	2529	1975	1462	1032	913	997	707	913	997	3760	57,8	41,7					
					15	250	2529	1975	1464	1034	913	997	709	913	997	4070	58,8	42,6					
					16	250	3154	2600	1468	1043	913	997	718	913	997	4410	59,8	43,5					
					17	250	3154	2600	1564	1139	913	997	814	913	997	4760	60,8	44,5					
					18	250	3154	2600	1568	1143	913	997	818	913	997	5220	62,1	45,7					
					19	250	3154	2600	1568	1143	913	997	818	913	997	5460	62,9	46,4					
					20	250	4154	3690	1898	1343	913	997	818	913	997	7260	67,4	50,9					
					21	250	4154	3690	1898	1348	913	997	823	913	997	7560	68,2	51,7					
					22	250	4154	3690	1898	1348	913	997	823	913	997	7860	69,1	52,5					
					23	250	4154	3690	1892	1342	913	997	817	913	997	8270	70,2	53,6					
					24	250	4154	3690	1892	1342	913	997	817	913	997	8580	71,0	54,4					
					25	250	4154	3690	1894	1344	913	997	819	913	997	9080	72,3	55,7					
					26	250	4154	3690	1894	1349	913	997	824	913	997	9390	73,2	56,5					
					27	250	4664	4200	2124	1549	913	997	1024	913	997	11390	78,1	61,4					
					28	250	4664	4200	2224	1649	913	997	1024	913	997	12150	80,1	63,3					
					29	250	4664	4200	2224	1649	913	997	1024	913	997	12530	81,1	64,3					
					30	250	4664	4200	2328	1753	913	997	1028	913	997	13910	84,5	67,7					
					12,5	3131B1423	8	1,4/4,2	930	6	250	2154	1600	1264	892	1133	1147	425	1133	1147	1870	58,0	40,5
										7	250	2154	1600	1264	892	1133	1147	425	1133	1147	2080	60,3	42,2
										8	250	2154	1600	1313	942	1133	1147	426	1133	1147	2380	62,4	43,7
										9	250	2154	1600	1304	929	1133	1147	704	1133	1147	2230	63,1	44,0
										10	250	2154	1600	1404	1029	1133	1147	704	1133	1147	2510	64,6	45,3
11	250	2154	1600	1408						1038	1133	1147	713	1133	1147	2690	65,7	46,1					
12	250	2154	1600	1404						1034	1133	1147	709	1133	1147	3370	67,9	48,2					
13	250	2529	1975	1404						1034	1133	1147	709	1133	1147	3630	69,0	49,1					
14	250	2529	1975	1408						1038	1133	1147	713	1133	1147	4030	70,4	50,4					
15	250	2529	1975	1508						1138	1133	1147	813	1133	1147	4430	71,8	51,6					
16	250	3154	2600	1508						1143	1133	1147	818	1133	1147	4740	72,8	52,5					
17	250	3154	2600	1512						1147	1133	1147	822	1133	1147	5200	74,2	53,8					
18	250	3154	2600	1612						1247	1133	1147	822	1133	1147	5650	75,6	55,1					
19	250	3154	2600	1612						1247	1133	1147	822	1133	1147	5910	76,4	55,9					
20	250	4154	3690	1654						1339	1133	1147	914	1133	1147	7410	80,3	59,7					
21	250	4154	3690	1662						1352	1133	1147	927	1133	1147	7840	81,5	60,9					
22	250	4154	3690	1662						1352	1133	1147	927	1133	1147	8150	82,5	61,7					
23	250	4154	3690	1667						1357	1133	1147	932	1133	1147	8920	84,5	63,7					
24	250	4154	3690	1758						1448	1133	1147	923	1133	1147	9330	85,6	64,8					
25	250	4154	3690	1767						1457	1133	1147	932	1133	1147	9840	87,0	66,1					
26	250	4154	3690	1767						1462	1133	1147	937	1133	1147	10170	87,9	67,0					
27	315	4734	4200	1957						1592	1133	1147	1067	1133	1147	12000	92,5	71,6					
28	315	4734	4200	1958						1593	1133	1147	1068	1133	1147	12510	93,9	72,9					
29	315	4734	4200	1962						1597	1133	1147	1072	1133	1147	13450	96,3	75,2					
30	315	4734	4200	2062						1697	1133	1147	1072	1133	1147	14280	98,4	77,3					
16	3131B1423	8	1,4/4,2	930						6	250	2154	1600	1302	932	1133	1147	702	1133	1147	1710	71,6	49,4
										7	250	2154	1600	1302	932	1133	1147	702	1133	1147	2200	75,0	52,0
										8	250	2154	1600	1304	934	1133	1147	704	1133	1147	2470	77,3	53,8
										9	250	2154	1600	1402	1032	1133	1147	702	1133	1147	2810	79,5	55,5
										10	250	2154	1600	1408	1038	1133	1147	708	1133	1147	3230	81,6	57,2
					11	250	2154	1600	1504	1139	1133	1147	809	1133	1147	3460	83,0	58,3					
					12	250	2154	1600	1507	1142	1133	1147	812	1133	1147	3820	84,6	59,6					
					13	250	2529	1975	1508	1143	1133	1147	813	1133	1147	4260	86,3	61,1					
					14	250	2529	1975	1707	1342	1133	1147	812	1133	1147	5190	89,0	63,7					
					15	250	2529	1975	1707	1342	1133	1147	812	1133	1147	5490	90,2	64,8					
					16	315	2934	2400	1752	1372	1133	1147	842	1133	1147	6270	92,5	66,9					
					17	315	2934	2400	1752	1372	1133	1147	842	1133	1147	6590	93,7	67,9					
					18	315	2934	2400	1757	1377	1133	1147	847	1133	1147	7280	95,7	69,8					
					19	315	4134	3600	1852	1482	1133	1147	952	1133	1147	8560	99,1	73,1					
					20	315	4134	3600	1852	1482	1133	1147	952	1133	1147	8930	100,2	74,2					
					21	315	4134	3600	1854	1489	1133	1147	959	1133	1147	9490	101,8	75,7					
					22	315	4134	3600	1954	1589	1133	1147	1059	1133	1147	10190	103,8	77,6					
					23	315	4134	3600	1958	1593	1133	1147	1063	1133	1147	11020	106,0	79,7					
					24	315	4134	3600	2058	1693	1133	1147	1063	1133	1147	11770	108,0	81,7					
					25	315	4134	3600	2058	1693	1133	1147	1063	1133	1147	12190	109,2	82,8					
					26	315	4134	3600	2062	1702	1133	1147	1072	1133	1147	13110	111,6	85,2					
					27	315	4734	4200	2062	1708	1133	1147	1078	1133	1147	13820	113,5	87,0					
					28	315	4734	4200	2062	1708	1133	1147	1078	1133	1147	14260	114,7	88,2					
					29	315	4734	4200	2058	1704	1133	1147	1074	1133	1147	15170	117,0	90,5					
					30	315	4734	4200	2058	1704	1133	1147	1074	1133	1147	15620	118,2	91,6					

BYGGFORM/BUILDING DESIGN : STANDARD

BYGGFORM/BUILDING DESIGN : A



STRØMTILFØRSEL KRAN
POWER SUPPLY CRANE

Prosjekt nummer	Tegnet/Modet av Dato	Prosjekt navn
Prosjekt nr./Dato	Tegnet/Modet av Dato	Prosjekt navn
Tegning nr./Dato		Prosjekt navn
Tegning nr./Dato		Prosjekt navn
Tegning nr./Dato		Prosjekt navn
Tegning nr./Dato		Prosjekt navn
Tegning nr./Dato		Prosjekt navn
Tegning nr./Dato		Prosjekt navn
Tegning nr./Dato		Prosjekt navn



Technical description

Steel construction

The main girder has either box or beam construction. It is designed using some of the most advanced modelling and FEM analysing tools to optimise the crane construction in accordance with our customers' requirements. The steel quality varies from St. 37.2 to St. 52.3

The cranes can, if required, be supplied with gangway for safe access and maintenance work.

End trucks

The end trucks are fabricated from square tubes and precision machined to ensure true alignment of bearings and shafts. The end trucks are equipped with solid derailing irons and rubber bumpers at each end.

The wheels are double flanged made of cast steel quality SJG700, machined and equipped with bearings, rotating on a fixed axel. The wheels have a machined gear rim on one flange, driven directly by the motor pinion.

Drive motors

The long travel drive motors are one- or two-speed braking motors, with a flange-mounted gear unit with output shaft with pinion. The motor is mounted directly to a machined surface on the end truck, ensuring precise contact with the gear rim. All Munck motors are manufactured to class F insulation, enclosure IP55 and ED = 60% (main speed 40%, slow speed 20%)

Brakes

The electromechanical spring brake is included in the hoist motor. The brake has two friction surfaces, and is automatically engaged when the power is cut off. It is released when the power is turned on.

The brake complies with relevant standard regarding brakes functioning as working brakes.

Hoisting machinery

The Munck standard electric wire rope hoist offers maximum safety and reliability under all operating conditions. The design and material are in accordance with the latest international standards and regulations. Special emphasis is made on compact design and easy maintenance.

The Munck hoist can be delivered as a separate item, or mounted on a mono – or two-rail trolley.

Design of Munck hoisting machineries

The Munck electric wire rope hoist is built up from the following standard components:

Hoisting motor complete (enclosure IP55) with built- in brake connected to the gearbox through a fixed shaft and couplings. The gear is precision machined, made from special steel for minimum wear even under heavy-duty conditions. All gears are splash lubricated by oil baths and designed for minimum 1600 full load hours.

Precision machined wire rope drum with left or right hand grooves, steel quality St 52.3.

The rope guide is of unique design for long life and easy maintenance.

The hoists are equipped with two limit switches – one for lifting and one lowering make Telemechanique or equivalent. The movement of the rope guide actuates the limit switches.

These are emergency limit switches only, and must not be used as working limit switches.

The wire rope is especially designed for long life and use on hoisting machineries. It is of a compact design.

Overload limit switch

All Munck hoists can be supplied with overload limit switches of electromechanical or electronic design. Munck has developed their own electronic limit switch, incorporating working period registration. Such equipment increases the theoretical lifetime of a crane and thereby the need for costly general overhauls

Trolley

The Munck standard cranes are supplied with different type of trolleys such as monorail, two-rail and C-type trolleys. All types are designed for maximum lifting height and minimum and easy maintenance. The trolley wheels are single or double-flanged equipped with gear rim.

Operation

The cranes can be operated by means of radio control or from a movable pendant push button station running along the main girder. Enclosure IP54 or better. The Munck radio control system is designed for crane duty and is of high quality offering reliable performance.

Electrical equipment

The electrical equipment and components are mounted in contactor panels with enclosure IP55. The components are of high quality and supplied by recognized manufacturers.

Cables

All platform cables are suspended from cable wagons running in track along to the crane girder.

Surface treatment

The steel structure, hoisting machinery and drive motors are primed and given a topcoat using alkyd zinc-chromate paint, thickness 70 my.

Hoisting machinery and drive motors colour RAL 5001
Steel structure colour RAL 1006

Operating conditions

Standard operational temperatures: -5 to + 40 °C

Max. voltage drop to junction point/current collector crane 4%

Noise level less than 85 db at 1m distance

Standards and regulations

All Munck products are in accordance with relevant international standards and CE marked.

Owner's responsibility:

In accordance to the EEC Community directives on machinery it is the owner of the building in which the crane is installed or their representative whom is fully responsible for safe access to the equipment. Munck are available to assist in recommending such safe accesses.

The Munck products are designed in accordance to recommendations set out in the Norwegian standards for lifting equipment and also in accordance with international standards such as FEM, DIN, CMA, ISO, CHAA, BSS and others.